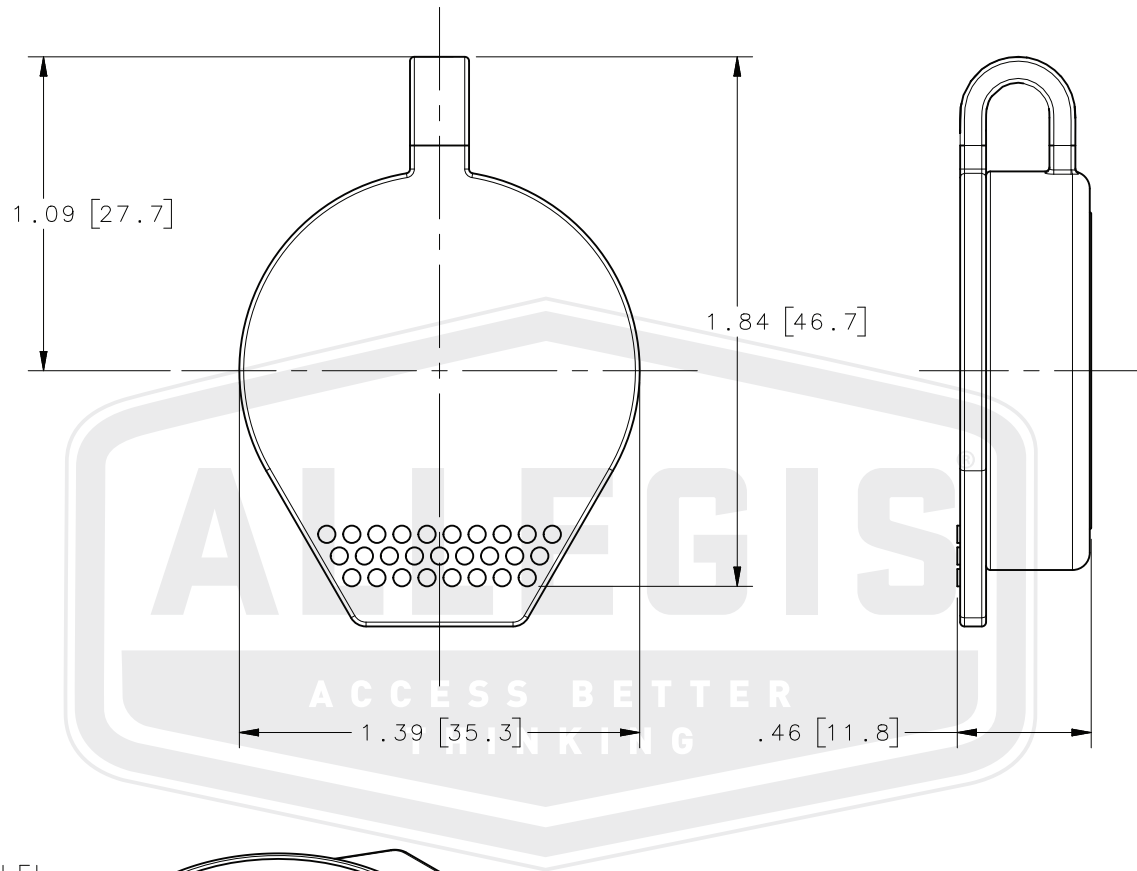
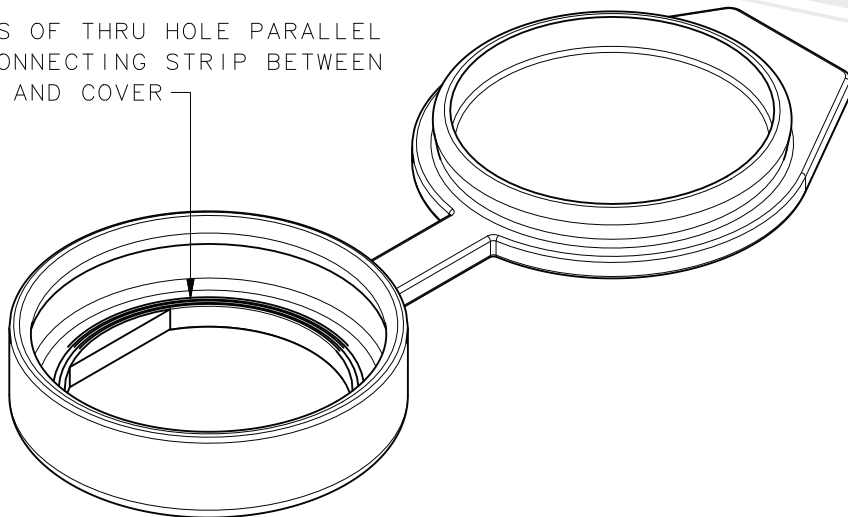


APPROVAL - CUSTOMER NAME & SIGNATURE

DATE



FLATS OF THRU HOLE PARALLEL TO CONNECTING STRIP BETWEEN BASE AND COVER



**ALLEGIS**

ACCESS BETTER THINKING

MATERIAL:  
Neoprene Rubber

DRAWING NO :  
90-3

FINISH:  
Black

REV: 1:1

DATE: 5.6.2021

Sealing  
Cover